

BKK 2174

Steam Iron Station

User Manual

Buharlı Ütü İstasyonu

Kullanma Kılavuzu



BEKO

Please read this user manual first!

Dear Customer,

Thank you for preferring a Beko product. We hope that you get the best results from your product which has been manufactured with high quality and state-of-the-art technology. Therefore, please read this entire user manual and all other accompanying documents carefully before using the product and keep it as a reference for future use. If you handover the product to someone else, give the user manual as well. Follow all warnings and information in the user manual.

Remember that this user manual is also applicable for several other models.

Differences between models will be identified in the manual.

Explanation of symbols

Throughout this user manual the following symbols are used:



Important information or useful hints about usage.



Warning for hazardous situations with regard to life and property.



Warning for electric shock.



Warning for danger of fire.



Warning for hot surfaces.



This product has been produced in environmentally friendly, modern facilities



CONTENTS

1 Important instructions for safety and environment ... 4-13

- 1.1 General safety 4-6
 - 1.1.1 Electrical safety 6-8
 - 1.1.2 Product safety 8-10
- 1.2 Intended use. 10
- 1.3 Children's safety 11
- 1.4 Compliance with WEEE regulation and disposal of the waste product . 12-13
- 1.5 Package information 13

2 Your steam iron station .. 14-15

- 2.1 Overview 14
 - 2.1.1. Controls and parts 14
 - 2.1.2. Technical data. 15

3 Preparation 16-17

- 3.1 Initial use 16
- 3.2 Saving energy. 16
- 3.3 Tips for ironing 17
- 3.4 Storage 17

4 Operating the product. ... 18-22

- 4.1 Dry ironing 18-19
- 4.2 Filling in the water tank. 19
- 4.3 Steam ironing 20-21
- 4.4 Vertical steam ironing 22

5 Maintenance and cleaning 23-24

- 5.1 Cleaning. 23
- 5.2 Descaling 23-24

1 Important instructions for safety and environment

This section contains safety instructions that will help protect from risk of personal injury or property damage. Failure to follow these instructions shall void any warranty.

1.1 General safety

- Do not use the appliance outdoors or in the bathroom.
- No liability is accepted for damages resulting from incorrect usage or improper handling of the appliance.
- Do not leave this appliance unattended while it is in use. Extreme caution is advised when being used near children and persons who are restricted in their physical, sensory or mental abilities.
- Do not open the outer casing under any circumstance. No liability is accepted for damages caused by improper use.

1 Important instructions for safety and environment

- Our Beko Household Appliances meet all the applicable safety standards; thus if the appliance or power cord is damaged, it must be repaired or replaced by the dealer, a service centre or a similarly qualified and authorized service person to avoid any danger. Faulty or unqualified repair work may cause danger and risk to the user.
- Only use the original accessories or those that are recommended by the manufacturer.
- Burns can occur from touching hot metal parts, hot water or steam. Exercise care when handling.

1.1.1 Electrical safety

- Never use this appliance with damp or wet hands.
- The plug must be removed from the socketoutlet before the water reservoir is filled

1 Important instructions for safety and environment

with water.

- Make sure that your local power supply corresponds to the information on the rating plate. The only way to disconnect the appliance from the power supply is to pull the power plug out of the power outlet.
- For additional protection, this appliance should be connected to a household residual current device with a rating of no more than 30 mA. Consult your electrician for advice.
- Dry off the appliance and all accessories prior to connecting it to a power supply and prior to attaching the accessories.
- Make sure you do not accidentally trip on the power cable when the appliance is in use.
- Position the appliance in such a way that the power plug is always accessible.

1 Important instructions for safety and environment

- Never touch the power plug with damp or wet hands.
- Unplug the appliance before each cleaning and when the device is not in use.
- Avoid damages to the power cable by not squeezing, bending or rubbing it on sharp edges. Keep the power cable away from hot surfaces and open flames.
- Do not pull on the power cable to disconnect the appliance from the power supply and do not wrap the power cable around the appliance; use the cable storage holder provided.
- Do not use this appliance with an extension cord.
- Do not submerge the appliance, the power cable or the power plug in water or in any other liquid.

1 Important instructions for safety and environment

1.1.2 Product safety

- Do not place this appliance on hotplates (gas, electric / coal stoves, etc.). Keep this appliance away from all hot surfaces.
- Always keep hair, clothing and other objects away from the appliance while it is in use in order to prevent injury and damages.
- Warning - Danger of Burns! Do not touch the hot soleplate. Do not lean over the iron while it is in use. Heat will rise from the device during usage! Only touch the iron by the handle.
- Only use the iron with the steam iron station connected.
- If this appliance falls, if water leaks or other defects occur, it must be inspected and repaired by an authorised specialist. Do not use this appliance until the defect has been repaired.

1 Important instructions for safety and environment

- Do not iron over zippers, metal buttons or other metal parts, as this could damage the soleplate.
- When walking away or leaving the appliance unattended only for a short time, make sure that the iron is always placed on the storage base and switched it off.
- Never point the hot soleplate towards people, animals or electrical devices whilst steam is being emitted.
- The water drain in the bottom of the steam ironing station must always be tightly sealed when the iron is in use.
- After use, always let the iron cool down completely in a location out of reach of children and persons who are restricted in their physical, sensory or mental abilities. Wait until the appliance has completely cooled down before storing it away. An unattended,

1 Important instructions for safety and environment

hot iron can result in burn injuries!

- The iron must be used and rested on a stable surface.
- When placing the iron on its stand, ensure that the surface on which the stand is placed is stable.

1.2 Intended use

- The appliance is designed for domestic use only.

1.3 Children's safety

- This appliance can be used by children aged from 8 years and above and persons with reduced physical, sensory or mental capabilities or lack of experience and knowledge if they have been given supervision or instruction concerning use of the appliance in a safe way and understand

1 Important instructions for safety and environment

the hazards involved. Children shall not play with the appliance. Cleaning and user maintenance shall not be made by children without supervision.

- Danger of suffocation! Keep all packaging materials away from children.

1.4 Compliance with WEEE regulation and disposal of the waste product



This product does not contain harmful and forbidden materials described in the “Directive on the Restriction of the Use of Certain Hazardous Substances in Waste Electrical and Electronic Equipment” (EEE) issued by the T.R. Ministry of Environment and Urbanization. Complies with the WEEE Directive.

1 Important instructions for safety and environment

This product has been manufactured with high quality parts and materials which can be reused and are suitable for recycling. Therefore, do not dispose of the product with normal domestic waste at the end of its service life. Take it to a collection point for the recycling of electrical and electronic equipment. Please consult your local authorities to learn the nearest collection point. Help protect the environment and natural resources by recycling used products. For children's safety, cut the power cable and break the locking mechanism of the loading door so that it will be non-functional before disposing of the product.

1.5 Package information

- Packaging materials of the product are manufactured from recyclable materials in accordance with our National Environment

1 Important instructions for safety and environment

Regulations. Do not dispose of the packaging materials together with the domestic or other wastes. Take them to the packaging material collection points designated by the local authorities.

2 Your steam iron station

2.1 Overview

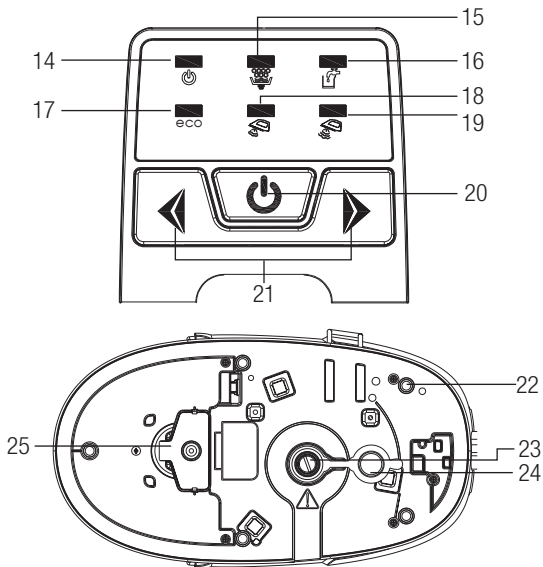


2.1.1. Controls and parts

- 1- Handle
- 2- Steam hose
- 3- Temperature indicator light
- 4- Control panel
- 5- Steam ironing station
- 6- Cable storage holder with clamping bracket
- 7- Power cable with power plug
- 8- Removable water tank with handle and trigger
- 9- Soleplate
- 10- Storage base
- 11- Water filling opening with lid
- 12- Temperature control dial
- 13- Steam jet button

All declared values on the product and on the printed leaflets are picked up after laboratory measurements performed according to related standards. These values may differ upon usage and ambient conditions.

2 Your steam iron station



- 14- Power indicator
- 15- Descaling indicator
- 16- Water filling indicator
- 17- Steam ECO indicator light green
- 18- Steam MEDIUM indicator light red
- 19- Steam HIGH indicator light red
- 20- On/Off switch
- 21- Steam adjusting button
- 22- Non-slip rubber foot
- 23- Water drainage screw
- 24- Rubber lid
- 25- Key for the water drainage screw

2.1.2. Technical data

- Power supply : 220-240V~, 50/60 Hz
- Power consumption: 2000-2400W
- Steam pressure : 4.5 bar
- Steam quantity : 110g/min.
- Water tank capacity: 1.7 litres



This product conforms to the European directives 2004/108/EC, 2006/95/EC, 2009/125/EC and 2011/65/EU.

3 Preparation

3.1 Initial use

1. Remove all packaging materials, labels and protective foil and dispose of them according to the applicable legal regulations.
2. Clean the outer parts of the appliance as described in the section "Cleaning and maintenance".
3. Place the appliance on an even, stable, dry and non-slip surface.
4. Place the iron onto the storage base "10".



During first use, a slight odour may occur as a result of manufacturing residues being burnt off. This is harmless and will only last for a short time. Ensure for sufficient ventilation.



WARNING: Never immerse the steam ironing station in water or any other liquid. Do not fill in the steam ironing station with vinegar, descaling agents, starch, perfume or ironing aids.



When ironing for the first time, use an old, clean cloth so that manufacturing residues can be removed from the soleplate "9".

3.2 Saving energy

This product has an ECO steam generation setting.

By using this setting, you can save 40% energy in comparison to the maximum steam generation setting with normal usage (Tested according to EN 60311+A1 clause 11).

Many linen types can be ironed well with ECO steam setting.

To save energy:

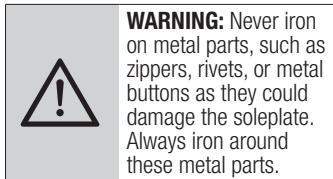
- You should use the appropriate heat setting. If you don't know the appropriate heat setting, start from the lowest heat setting and increase it until linen can be ironed well.
- Your product can generate enough steam in ECO mode to iron many linen types. We suggest you to start using your product with ECO setting. If you don't know the appropriate steam setting, start from the lowest steam setting and increase it until linen can be ironed well.
- For better ironing, try using the steam with pulse actions. Using the steam continuously will cause more moisture residue on your linen and this may cause your linen to wrinkle back while losing the extra moisture.

3 Preparation

- Your product has an Auto off feature to save energy and improve your safety. We still suggest you to turn off your product during long waiting durations without waiting for the Auto off function.
- Ironing wool garments can cause them to 'shine'. It is therefore recommended to iron such garments inside out.

3.3 Tips for ironing

- Prior to ironing, always check the garment label to ensure the correct temperature is set on the iron.
- Since the iron heats up much quicker than it cools down, synthetic textiles, silk or similar fabrics should be ironed using lower temperature settings first.
- If the garment is made of combined types of fabric, always begin with the lowest temperature setting first.
- Silk and other textiles that tend to shine should be ironed inside out. Velvet and other types of fabric that shine should be ironed with very little pressure and only in one direction. Always keep moving the iron while ironing.
- Do not use the steam function when ironing coloured silk. This could cause stains.
- Garments made of 100% pure wool can be ironed using steam. Set the temperature control dial preferably to the MAX setting and lay a dry towel between the garment and the iron.



3.4 Storage

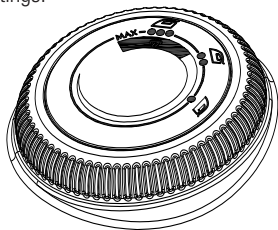
If you will not be using the steam iron for a long period of time, please store it away carefully.

- Make sure that the iron is disconnected from the power supply and completely dry when storing it away.
- Empty the water tank.
- Open the water drainage screw and let the remaining water drain out of the iron. Screw in the water drainage screw again and tighten it.
- To store away the steam ironing station, wind the steam hose "2" and the power cable around the cable storage holder "6" and secure them with the clamping bracket.
- Please try to store the steam iron and the attachments in their original packaging.
- Store it in a cool, dry place.
- Make sure the appliance is always kept out of the reach of children.

4 Operating the product

4.1 Dry ironing

1. Place the appliance on an even, dry and nonslip surface. The non-slip feet "22" ensure the stability of the appliance.
2. The **water tank** "8" must remain empty during the dry ironing process; otherwise steam pressure could build up.
3. Insert the power plug "7" into the wall socket.
4. Push the **On/Off switch** "20" to switch on the steam ironing station.
 - ECO indicator light "17" illuminates green.
5. Depending on the type of fabric, turn the **temperature control dial** "12" to one of the following settings:



Nylon,	setting 1	•
Silk	setting 1	•
Wool	setting 2	••
Cotton	setting 3	•••
Linen	setting MAX	MAX



WARNING: Always read the care label on your garment before setting the temperature

- The temperature indicator light "3" lights up yellow. The yellow temperature indicator light "3" remains on while the iron is heating up. As soon as the iron reaches the set temperature, the temperature indicator light goes off. The temperature indicator light will go on and off during usage to indicate that the set temperature is being regulated.
6. The ironing process can begin.



Do not press the **steam jet button** "13" during dry ironing.



WARNING: When taking a break from ironing, always place the iron back onto the storage base "10". The tip of the soleplate "9" must always be placed on the surface of the storage base.

7. After the ironing process is complete, place the iron onto the storage base.

4 Operating the product

- Press and hold down the **On/Off switch** "20" of the steam ironing station for a few seconds to switch the steam ironing station off. Set the **temperature control dial** "12" to minimum level and disconnect the plug from the power outlet.
 - The red power indicator light "14" and the green steam button indicator light ECO "17" go off.
- Let the appliance cool down in a location that is safely out of reach of children.

4.2 Filling the water tank

- Grab the handle "8" of the water tank and pull the water tank out of the steam ironing station by pushing the trigger underneath the handle "8".
- Open the lid of the water filling opening "11" and fill the water tank with tap water or distilled water up to the MAX marking. The maximum capacity is 1.7 litres.
- Close the lid of the water filling opening and push the water tank completely into the steam ironing station. Make sure that it clicks into place properly and is secured to the housing of the steam ironing station.



WARNING: Do not move or shake the steam ironing station when the water tank is being filled. Water might spill out from the opening of the water tank.

- Press the **steam jet button** "13" briefly to reset the iron. After about 10 seconds the iron will be ready for steam ironing.



When the water tank is empty, air enters into the pump causing a louder 'pumping' sound. This is quite normal.



If your tap water is very hard it is recommended to mix the tap water with distilled water on a 50:50 ratio, or use distilled water only.

4 Operating the product

4.3 Steam ironing

1. Place the appliance on an even, dry and nonslip surface. The non-slip feet "22" ensure the stability of the appliance.
2. Fill the water tank as described in the section "Filling in the water tank".
3. Insert the power plug "7" into the wall socket.
4. Push the On/Off switch "20" to switch on the steam ironing station.
 - The power indicator "14" lights up red and the ECO indicator light "17" illuminates green.
5. Adjust the temperature control dial "12" to the desired temperature.
 - The temperature indicator light "3" lights up yellow. The yellow temperature indicator light "3" remains on while the iron is heating up. As soon as the iron reaches the set temperature, the temperature indicator light goes off. The temperature indicator light will go on and off during usage to indicate that the set temperature is being regulated.



Steam ironing is only possible at higher temperature settings between ●● and MAX.

6. The water in the water tank heats up within 3 minutes. As soon as the temperature indicator light goes off and the control indicator in "3" the steam button remains lit, the steam iron is ready to use. Hold the iron in horizontal position on the garments and press the steam jet button "13". Continue to move the iron when ironing.



WARNING: Never direct the steam at people or pets.



When the steam ironing station is switched on it will produce a 'pumping' sound. This is normal and indicates that water is being pumped from the water tank into the steam ironing station.

7. Set the desired steam pressure ECO, MEDIUM or HIGH by using the **steam adjusting button** "21".
 - The corresponding control indicator in the steam button blinks as soon as it is selected. After approx. 2 minutes the control indicator will remain lit, indicating that the appliance is ready for steam ironing.

4 Operating the product

- When there is insufficient water left in the water tank “8” the steam generation stops and the water filling indicator “16” lights up, followed by an audible beep. The control indicator of the selected steam button goes off. Place the iron onto the storage base and refill the water tank (see section Filling in the water tank).
- After ironing process is complete, place the iron onto the storage base.
- Press and hold down the **On/Off switch** “20” of the steam ironing station for a few seconds to switch the steam ironing station off. Set the temperature control dial to minimum level and disconnect the plug from the power outlet.
- Let the appliance cool down in a location that is safely out of reach of children.



WARNING: Never touch the hot soleplate with bare hands. Danger of Burns!



If the steam function has not been used for some time the water condensed in the steam hose transforms into water. When restarting the steam ironing station again, it could cause spluttering of the unit and water droplets at the soleplate. In order to avoid these droplets falling onto your garments we recommend using an old clean cloth in the beginning. Press the steam jet button “13” until the droplets disappear and normal steam will be produced.

- If dirt particles escape from the soleplate, clean the steam ironing station according to the instructions in section “Maintenance and cleaning”.
- The steam ironing station will automatically switch off if no button or any other control element has been activated for a period of 10 minutes.

4 Operating the product

4.4 Vertical steam ironing



Vertical steam ironing can be applied to hanging curtains or clothes (suits, jackets and coats).

1. The steam ironing station has three steam settings: ECO, MID and HIGH. Please refer to section “Steam ironing”.
2. When the control indicator of the selected steam pressure remains lit, it indicates that the appliance is ready for steam ironing.
3. Hold the iron in vertical position on the garments or curtains and press the steam jet button “13”. Continue to move the iron when ironing



WARNING: Never direct the steam at people or pets.

5 Maintenance and cleaning

5.1 Cleaning



WARNING: Do not under any circumstance use petrol, solvents, abrasive cleaners, or hard brushes to clean this appliance.



WARNING: Do not touch the hot soleplate with bare hands directly after ironing. Danger of Burns!



WARNING: Remove limescale and other mineral deposits from the steam ironing station when the descaling indicator lights up.



WARNING: Never hold the steam ironing station under running water and never submerge it in water or any other liquid.



WARNING: Never clean the soleplate with chemicals, steel wool, wood or other abrasive cleaning agents.

1. Prior to each cleaning, turn the appliance off and disconnect the power plug from the power outlet.
2. Let the steam iron cool down completely.
3. Use a slightly damp cloth to clean the exterior of the iron. Then dry it off thoroughly.
4. Wipe deposits off the soleplate with a slightly damp cloth or if necessary, with a mild, nonabrasive liquid cleaner

5.2 Descaling

Note

- To maintain efficiency and extend the operating life of your steam ironing station and to avoid scale particles on your garments, this unit is equipped with a “Descaling” warning indicator light “15”. This light flashes on the control panel “4” after about 100 minutes of operating time.
- When the descaling indicator “15” lights up, you can continue using your iron normally but you need to remember to descale the unit before using it the next time.

5 Maintenance and cleaning



WARNING: Do not use any descaling products! These could damage the appliance.



WARNING: Before descaling or emptying the unit, the iron must cool down for more than 2 hours in order to avoid the risk of burns.

1. Place the cooled down steam iron on an even surface.
2. Remove water tank from the steam station station by grabbing the handle "8" of the water tank and pull the water tank out of the steam ironing station by pushing the trigger underneath the handle "8".
3. Turn the steam ironing station on its side. Pull the rubber lid "24" on the water drainage screw "23".
4. Remove the key "25" located underneath the steam ironing station and open the water drainage screw with it.
5. Fill the steam station with ca. 0.5 L clean water through opened water drainage screw.
6. Screw in the water drainage again.
7. Hold and shake the steam station at least 1 min.
8. Screw out water drainage and shake the steam station while water drains out into the sink.
9. Let the water drain out into a sink completely.
10. Screw in the water drainage screw again and tighten it.
11. Push the rubber lid onto the water drainage screw.
12. Assemble the water tank. If the warning light remains lit, repeat the above procedure.

Lütfen önce bu kılavuzu okuyun!

Değerli Müşterimiz,


Beko ürününü tercih ettiğiniz için teşekkür ederiz. Yüksek kalite ve teknoloji ile üretilmiş olan ürününüzün size en iyi verimi sunmasını istiyoruz. Bunun için, bu kılavuzun tamamını ve verilen diğer belgeleri ürünü kullanmadan önce dikkatle okuyun ve bir başvuru kaynağı olarak saklayın. Ürünü başka birisine vererseniz, kullanma kılavuzunu da birlikte verin. Kullanma kılavuzunda belirtilen tüm bilgi ve uyarıları dikkate alarak talimatlara uyun.

Bu kullanma kılavuzunun başka modeller için de geçerli olabileceğini unutmayın. Modeller arasındaki farklar kılavuzda açık bir şekilde belirtilmiştir.

Sembollerin anlamları

Bu kullanım kılavuzunun çeşitli kısımlarında aşağıdaki semboller kullanılmıştır:

	Cihazın kullanımıyla ilgili önemli bilgiler ve faydalı tavsiyeler.
--	--

	Can ve mal güvenliğiyle ilgili tehlikeli durumlar konusunda uyarılar.
--	---

	Elektrik çarpması uyarısı.
--	----------------------------

	Yangın tehlikesi uyarısı.
---	---------------------------

	Sıcak yüzeylerle ilgili uyarı.
--	--------------------------------



Bu ürün çevreye saygılı modern tesislerde doğaya zarar vermeden üretilmiştir.

AEEE Yönetmeliğine uygundur.



PCB içermez.

1 Önemli güvenlik ve çevre talimatları 27-35

- 1.1 Genel güvenlik 27-29
 - 1.1.1 Elektrik güvenliği 29-31
 - 1.1.2 Ürün güvenliği 31-33
- 1.2 Kullanım amacı 33
- 1.3 Çocuk güvenliği 33-34
- 1.4 AEEE yönetmeliğine uyum ve atık ürünün elden çıkarılması . . 34-35
- 1.5 Ambalaj bilgisi 35

2 Buharlı ütü istasyonunuz 36-37

- 2.1 Genel bakış 36
 - 2.1.1. Kontroller ve parçalar 36
 - 2.1.2. Teknik veriler. 37

3 Hazırlık 38-40

- 3.1 İlk kullanım 38
- 3.2 Enerji tasarrufu 38-39
- 3.3 Ütüleme ipuçları 39
- 3.4 Saklama. 39-40

4 Ürünün çalıştırılması 41-45

- 4.1 Kuru ütüleme 41-42
- 4.2 Su haznesinin doldurulması 42
- 4.3 Buharlı ütüleme 43-44
- 4.4 Dikey buharlı ütüleme 45

5 Bakım ve temizlik 46-47

- 5.1 Temizlik 46
- 5.2 Kireç çözme 46-47

6 Tüketici hizmetleri 48

1 Önemli güvenlik ve çevre talimatları

Bu bölümde kişisel yaralanma ve maddi hasar riskine karşı koruma sağlamaya yardımcı olacak güvenlik talimatları verilmiştir. Bu talimatlara uyulmaması verilen garantiyi geçersiz kılacaktır.

1.1 Genel güvenlik

- Bu cihazı dış mekanlarda veya banyoda kullanmayın.
- Hatalı kullanımdan veya cihazın uygunsuz şekilde taşınmasından kaynaklanan hasarlar için herhangi bir sorumluluk kabul edilmez.
- Kullanımda olduğu zaman bu cihazın yanından ayrılmayın. Cihaz çocukların ve sınırlı fiziksel, duyuşal ya da zihinsel kapasiteye sahip insanların yakınında kullanıldığında son derece dikkatli olunması tavsiye edilir.
- Hiçbir surette cihazın dış mahfazasını açmayın. Uygunsuz kullanım sonucu oluşan hasarlar için hiçbir sorumluluk kabul edilmez.

1 Önemli güvenlik ve çevre talimatları

- Beko Küçük Ev Aletleri, geçerli güvenlik standartlarına uygundur; bundan dolayı herhangi bir tehlikeyi önlemek için cihaz veya elektrik kablosu, hasar görmesi durumunda satıcı, servis merkezi veya benzeri uzman ve yetkili servis tarafından onarılmalı veya değiştirilmelidir. Hatalı veya yeterli olmayan onarım işlemleri, kullanıcıya yönelik tehlike ve riskler meydana getirebilir.
- Sadece orijinal parçaları veya üretici tarafından tavsiye edilen parçaları kullanın.
- Sıcak metal parçalar, sıcak su veya buhar ile temas halinde yanıklar oluşabilir. Kullanım esnasında dikkatli olun.

1.1.1 Elektrik güvenliği

- Asla bu cihazı nemli veya ıslak ellerle kullanmayın.
- Su haznesine su doldurmadan önce ütünün

1 Önemli güvenlik ve çevre talimatları

fişi mutlaka prizden çekilmelidir.

- Şebeke güç kaynağınızın cihazın değer plakasında belirtilen bilgilere uygun olduğundan emin olun. Cihazı güç kaynağından ayırmanın tek yolu elektrik fişini prizden çekmektir.
- İlave koruma için bu cihaz, maksimum 30 mA anma değerine sahip bir ev aletleri artık akım cihazına bağlanmalıdır. Öneri için elektrik teknisyeninize danışın.
- Elektriğe bağlamadan ve aksesuarlarını takmadan önce cihazı ve tüm aksesuarlarını kurutun.
- Cihazı kullanırken elektrik kablosuna basmamaya veya takılmamaya dikkat edin.
- Cihazı, elektrik fişine her zaman ulaşılabilir şekilde yerleştirin.
- Ellerinizi nemli veya ıslakken cihazın fişine asla dokunmayın.

1 Önemli güvenlik ve çevre talimatları

- Cihazı temizlemeden önce her zaman prizden çekin ve cihaz kullanımdayken asla temizlik yapmayın.
- Güç kablosunun hasar görmesini önlemek için sıkışmasını, kıvrılmasını veya keskin kenarlara sürtünmesini engelleyin. Güç kablosunu sıcak yüzeylerden ve çıplak alevden uzak tutun.
- Cihazı güç kaynağından ayırmak için kablosundan çekmeyin ve kablosunu cihazın etrafına sarmayın; cihazla birlikte verilen kablo saklama makarasını kullanın.
- Bu cihazı uzatma kablosuyla kullanmayın.
- Cihazı, elektrik kablosunu veya fişini suya ya da diğer sıvılara batırmayın.

1.1.2 Ürün güvenliği

- Bu cihazı sıcak yüzeylerin (gaz, elektrik veya kömür sobası, vb.) üzerine koymayın. Bu cihazı her tür sıcak yüzeyden uzak tutun.

1 Önemli güvenlik ve çevre talimatları

- Yaralanma ve maddi hasarları önlemek için cihazın çalışması esnasında saçlarınızı, giysilerinizi ve diğer tüm eşyaları her zaman cihazdan uzak tutun.
- Uyarı -Yanma Tehlikesi! Ütünün sıcak taban plakasına dokunmayın. Kullanımda olduğu zaman ütüye yaslanmayın. Kullanım sırasında cihazdan sıcak hava çıkacaktır! Ütüyü sadece sapından tutun.
- Ütüyü sadece buharlı ütü istasyonu bağlıyken kullanın.
- Bu cihaz yere düşerse, su sızıntısı yaparsa veya diğer arızalar meydana gelirse, yetkili bir servis uzmanı tarafından kontrol edilmeli ve onarılmalıdır. Bu cihazı onarılanaya kadar kullanmayın.
- Ütüyü fermuar, metal düğme veya diğer metal parçalara temas ettirmeyin çünkü bu durum taban plakasına zarar verebilir.

1 Önemli güvenlik ve çevre talimatları

- Cihazdan uzaklaşacağınız veya kısa süre gözetimsiz bırakacağınız zaman, ütünün her zaman için saklama kaidesinin üzerine yerleştirildiğinden ve kapatıldığından emin olun.
- Buhar çıkarken sıcak taban plakasını asla insanların, hayvanların veya elektrik cihazların üzerine doğrultmayın.
- Buharlı ütü istasyonunun altındaki su gideri deliği cihaz kullanımdayken daima sıkı bir şekilde kapalı olmalıdır.
- Cihazı kullandıktan sonra çocukların ve sınırlı fiziksel, duyuşal ya da zihinsel kapasiteye sahip insanların erişemeyeceği bir yerde tamamen soğumaya bırakın. Cihazı kaldırmadan önce tamamen soğuyana kadar bekleyin. Gözetimsiz sıcak ütüler yanık ve yaralanmalara neden olabilir!
- Ütüyü kullanacağınız ve koyacağınız zeminin

1 Önemli güvenlik ve çevre talimatları

yüzeyi sabit olmalıdır.

- Ütüyü ütü masasına koymadan önce, ütü masasını yerleştireceğiniz yerin sabit olduğundan emin olun.

1.2 Kullanım amacı

- Bu cihaz sadece evde kullanılmak üzere tasarlanmıştır.

1.3 Çocuk güvenliği

- Bu cihaz, cihazın güvenli bir şekilde kullanımıyla ilgili olarak gözetim altında tutulmaları veya kendilerine talimat verilmesi ve cihazın kullanımıyla ilgili tehlikeleri anlamaları koşuluyla 8 yaş ve üzeri çocuklar ile kısıtlı fiziksel, duyuşal veya zihinsel kapasiteye sahip olan ya da bilgi ve deneyimi olmayan kişilerce kullanılabilir. Çocuklar cihazla oynamamalıdır. Temizlik ve kullanıcı bakım işlemleri, başlarında bir büyük olmadığı sü-

1 Önemli güvenlik ve çevre talimatları

rece çocuklar tarafından yapılmamalıdır.

- Boğulma tehlikesi! Tüm ambalaj malzemelerini çocuklardan uzak tutun.

1.4 AEEE yönetmeliğine uyum ve atık ürünün elden çıkarılması



Bu ürün, T.C. Çevre ve Şehircilik Bakanlığı tarafından yayımlanan “Atık Elektrikli ve Elektronik Eşyaların

Kontrolü Yönetmeliği”nde belirtilen zararlı ve yasaklı maddeleri içermez. AEEE Yönetmeliğine uygundur. Bu ürün, geri dönüşümlü ve tekrar kullanılabilir nitelikteki yüksek kaliteli parça ve malzemelerden üretilmiştir. Bu nedenle, ürünü, hizmet ömrünün sonunda evsel veya diğer atıklarla birlikte atmayın. Elektrikli ve elektronik cihazların geri dönüşümü için bir toplama noktasına götürün. Bu toplama noktalarını bölgenizdeki yerel yönetim sorun. Kullanılmış ürünleri geri kazanıma

1 Önemli güvenlik ve çevre talimatları

vererek çevrenin ve doğal kaynakların korunmasına yardımcı olun.

1.5 Ambalaj bilgisi

- Ürünün ambalajı, Ulusal Mevzuatımız gereği geri dönüştürülebilir malzemelerden üretilmiştir. Ambalaj atığını evsel veya diğer atıklarla birlikte atmayın, yerel otoritenin belirttiği ambalaj toplama noktalarına atın.

2 Buharlı ütü istasyonunuz

2.1 Genel bakış

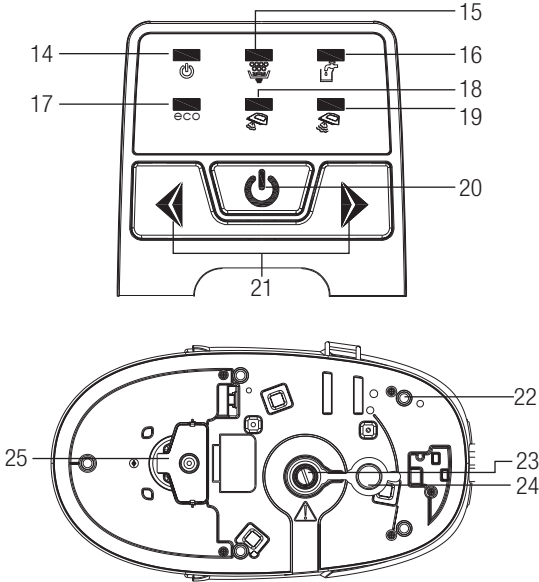


2.1.1. Kontroller ve parçalar

- 1- Sap
- 2- Buhar hortumu
- 3- Sıcaklık gösterge ışığı
- 4- Kontrol paneli
- 5- Buharlı ütü istasyonu
- 6- Sıkıştırma braketi olan kablo sarma makarası
- 7- Elektrik fişli elektrik kablosu
- 8- Sapı ve tetiği olan çıkarılabilir su haznesi
- 9- Taban plakası
- 10- Saklama kaidesi
- 11- Kapaklı su doldurma deliği
- 12- Sıcaklık kontrol düğmesi
- 13- Buhar püskürtme düğmesi

Ürününüz üzerinde bulunan işaretlemelerde veya ürünle birlikte verilen diğer basılı dökümanlarda beyan edilen değerler, ilgili standartlara göre laboratuvar ortamında elde edilen değerlerdir. Bu değerler, ürünün kullanım ve ortam şartlarına göre değişebilir.

2 Buharlı ütü istasyonunuz



- 14- Güç göstergesi
- 15- Kireç çözme göstergesi
- 16- Su doldurma göstergesi
- 17- Buharlı ECO gösterge ışığı yeşil
- 18- Buharlı MEDIUM gösterge ışığı kırmızı
- 19- Buharlı HIGH gösterge ışığı kırmızı
- 20- Açma/Kapama düğmesi
- 21- Buhar ayarlama düğmesi
- 22- Kaymaz lastik altlık
- 23- Su tahliye vidası
- 24- Lastik kapak
- 25- Su tahliye vidası için anahtar.

2.1.2. Teknik veriler

Güç kaynağı	:	
	:	220-240V~, 50/60Hz
Güç tüketimi	:	2000-2400W
Buhar basıncı	:	4,5 bar
Buhar miktarı	:	110g/dak.
Su haznesinin kapasitesi	:	1,7 litre



Bu ürün, 2004/108/EC, 2006/95/EC, 2009/125/EC ve 2011/65/EU sayılı Avrupa CE Direktiflerine uygundur.

3.1 ilk kullanım

1. Tüm ambalaj malzemelerini, etiketleri ve koruyucu folyoları çıkarın ve yürürlükteki yasal düzenlemelere uygun olarak atın.
2. Lütfen "Temizleme ve bakım" bölümünde tarif edildiği gibi cihazın dış kısımlarını temizleyin.
3. Cihazı düz, dengeli, kuru ve kaymayan bir yüzey üzerine yerleştirin.
4. Ütüyü saklama kaidesinin "10" üzerine yerleştirin.



Ütüyü ilk kullandığınız zaman, üretim kalıntılarının yanması sonucunda hafif bir koku meydana gelebilir. Bu koku zararsızdır ve kısa bir süre devam edecektir. Cihazın iyi şekilde havalandırıldığından emin olun.



UYARI: Asla buharlı ütü istasyonunu suya veya diğer sıvıların içerisine daldırmayın. Buharlı ütü istasyonuna sirke, ki-reç çözücü, kola, parfüm veya diğer ütülemeye yardımcı maddelerden koymayın.



İlk kez ütüleme yapıyorsanız, üretim kalıntılarını taban plakasından "9" çıkarmak için eski ve temiz bir bez kullanın.

3.2 Enerji tasarrufu

Bu üründe ECO buhar üretimi ayarları vardır.

Bu ayarı kullanarak, normal kullanım-daki maksimum buhar ayarına kıyasla %40 enerji tasarrufu sağlayabilirsiniz (EN 60311+A1 madde 11'e göre test edilmiştir).

Bir çok kumaş türü ECO buhar ayarıyla iyi bir şekilde ütülenebilir.

Enerjiden tasarruf etmek için:

- Uygun ısı ayarını kullanmanız gerekmektedir. Uygun ısı ayarını bilmiyorsanız, en düşük ısı ayarından başlayın ve kumaş iyi bir şekilde ütülenene kadar ısıyı artırın.
- Ürününüzü ECO modunda bir çok kumaş türünü ütülemek için yeterli buharı üretebilir. Ürününüzü ECO ayarıyla kullanmaya başlamayı öneriyoruz. Uygun buhar ayarını bilmiyorsanız, en düşük buhar ayarından başlayın ve kumaş iyi bir şekilde ütülenene kadar buharı artırın.

3 Hazırlık

- Daha iyi ütüleme yapmak için, buhar aralıklı olarak kullanmayı deneyin. Buharı sürekli olarak kullanmak ürünlerinizin üzerinde daha fazla artık nem kalmasına neden olacaktır ve bu da keteninizin ekstra nem kaybederken tekrar kırışmasına neden olabilir.
- Ürününüzün enerji tasarrufu sağlamak ve güvenliğinizi artırmak için Otomatik kapanma özelliği vardır. Ancak biz yine de uzun süreli bekleme sırasında ürününüzü, Otomatik kapanma özelliğini beklemeden kapatmanızı tavsiye ediyoruz.
- Parlama eğilimi gösteren ipek ve diğer tekstiller ters çevrilerek ütülenmelidir. Parlayan kadife ve diğer kumaşlar çok az basınçla ve sadece tek bir yönde ütülenmelidir. Ütüleme sırasında daima ütüyü hareket ettirin.
- Renkli ipek kıyafetleri ütülen buhar işlevini kullanmayın. Bu durum lekelerin oluşmasına neden olabilir.
- %100 saf yünden yapılmış kıyafetler buhar kullanılarak ütülenebilir. Tercihen cihazın sıcaklık kontrol düğmesini MAX ayarına getirin ve kıyafetin üzerine kuru bir havlu koyarak ütöleyin.
- Yünlü kıyafetlerin ütülenmesi bu tip kumaşların 'parlamasına' neden olabilir. Bu nedenle bu kıyafetlerin ters çevrilerek ütülenmesi tavsiye edilir.

3.3 Ütüleme ipuçları

- Ütüleme öncesinde, ütülenecek giysi için doğru sıcaklığı daima giysinin etiketini kontrol ederek öğrenin.
- Ütü soğuduğu süreye göre çok daha kısa sürede ısındığı için, sentetikler, ipek veya benzeri kumaşlar ilk başta düşük sıcaklık ayarları kullanılarak ütülenmelidir.
- Giysi farklı kumaşlarla üretilmişse, ilk başta daima en düşük sıcaklık ayarıyla ütölemeye başlayın.



UYARI: Fermuar, perçin gibi metal parçaları veya metal düğmeleri ütüye temas ettirmeyin bu durum ütünün taban plakasına zarar verebilir. Daima bu metal parçaların etrafından ütöleyin.

3.4 Saklama

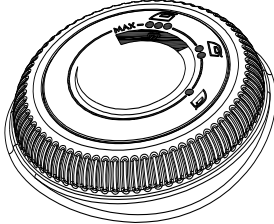
Buharlı ütüyü uzun süre kullanmayı düşünmüyorsanız, lütfen dikkatli bir şekilde saklayın.

- Ütüyü kaldırmadan önce fişinin çekilmiş olduğundan ve tamamen soğuduğundan emin olun.
- Su haznesini boşaltın.
- Su tahliye vidasını açın ve ütüdeki kalan suyun boşalmasını sağlayın. Su tahliye vidasını tekrar yerine takın ve sıkın.
- Buharlı ütü istasyonunu kaldırmak için, buhar hortumunu “2” ve güç kablosunu kablo sarma makarasının “6” etrafına sarın ve sıkıştırma braketleriyle sabitleyin.
- Lütfen buharlı ütüyü ve aksesuarlarını orijinal paketlerinde saklayın.
- Serin ve kuru bir yerde saklayın.
- Cihazın, daima çocukların ulaşamayacağı bir yerde muhafaza edildiğinden emin olun.

4 Ürünün çalıştırılması

4.1 Kuru ütüleme

1. Cihazınızı düz, kuru ve kaymayan bir zemine yerleştirin. Kaymayan ayaklar "22" cihazın dengede durmasını sağlar.
2. **Su haznesi** "8" kuru ütüleme işlemi sırasında boş olmalıdır; aksi takdirde buhar basıncı artabilir.
3. Elektrik fişini "7" duvardaki prize takın.
4. Buharlı ütü istasyonunu açmak için **Açma/Kapama düğmesine** "20" basın.
 - ECO gösterge ışığı "17" yeşil yanar.
5. Kumaş tipine göre, **sıcaklık kontrolü düğmesini** "12" aşağıdaki ayarlardan birine çevirin:



Naylon,	ayar 1	•
İpek	ayar 1	•
Yünlü	ayar 2	••
Pamuk	ayar 3	•••
Keten	ayar MAX	MAX



UYARI: Sıcaklığı ayarlamadan önce daima gıysinizdeki ürün etiketine bakın

- Sıcaklık göstergesi ışığı "3" sarı yanar. Sarı sıcaklık göstergesi ışığı "3" ütü ısınırken yanmaya devam eder. Ütü ayarlanan sıcaklığa ulaştığında, sıcaklık göstergesi ışığı söner. Sıcaklık göstergesi ışığı kullanım sırasında yanacak ve sönecektir; bu durum ayarlanan sıcaklığın ayarlanmakta olduğunu göstermektedir.
6. Ütü yapmaya başlanabilir.



Kuru ütüleme sırasında **buhar püskürtme düğmesine** "13" basın.



UYARI: Ütüleme ara verdiğiniz zamanlarda, ütüyü daima saklama kaidesinin "10" üzerine yerleştirin. Taban plakasının "9" ucu daima saklama kaidesinin üzerine oturtulmalıdır.

4 Ürünün çalıştırılması

7. Ütüleme işlemi bittiğinde, ütüü saklama kadesinin üzerine koyun.
8. Buharlı ütü istasyonunu kapatmak için istasyonun **on/off düğmesini** “20” birkaç saniye basılı tutun. Cihazın fişini prizden çekmek için **sıcaklık kontrol düğmesini** “12” en düşük seviyeye olarak ayarlayın.
 - Kırmızı güç göstergesi ışığı “14” ve yeşil buhar düğmesi gösterge ışığı ECO “17” kapanır.
9. Cihazı çocukların ulaşamayacağı güvenli bir yerde soğumaya bırakın.

4.2 Su haznesinin doldurulması

1. Su haznesinin sapını “8” tutun ve sapını “8” altındaki tetiğe basarak hazneyi buharlı temizleme istasyonundan çıkarın.
2. Su doldurma deliğinin “11” kapağını açın ve su haznesini MAX seviyesine kadar musluk suyuyla veya damıtılmış suyla doldurun. Maksimum kapasite 1,7 litredir.
3. Su doldurma deliğinin kapağını kapatın ve su haznesini ittirerek haznenin tamamını buharlı ütü istasyonunun içine yerleştirin. Tık sesiy-le yerine düzgün bir şekilde oturduğundan ve buharlı ütü istasyonunun yuvasına güvenli bir şekilde yerleştikten emin olun.



UYARI: Su haznesine su eklerken buharlı ütü istasyonunu hareket ettirmeyin veya sallamayın. Aksi takdirde su haznesinin ağzından su çıkabilir.

4. Ütüüyü sıfırlamak için kısa süreyle **buhar püskürtme düğmesine** “13” basın. Yaklaşık 10 saniye sonra cihaz tekrar buharlı ütülemeye hazır olacaktır.



Su haznesi boşaldığında, pompaya hava girer ve daha yüksek bir ‘pompalama’ sesi duyulur. Bu durum normaldir.



Şebeke suyunuz çok sert ise, bu suyu yarı yarıya damıtılmış suyla karıştırmanız veya sadece damıtılmış su kullanmanız önerilir.

4 Ürünün çalıştırılması

4.3 Buharlı ütüleme

1. Cihazınızı düz, kuru ve kaymayan bir zemine yerleştirin. Kaymayan ayaklar "22" cihazın dengede durmasını sağlar.
2. "Su Haznesinin Doldurulması" isimli bölümde anlatıldığı şekilde su haznesini doldurun.
3. Elektrik fişini "7" duvardaki prize takın.
4. Buharlı ütü istasyonunu açmak için on/off düğmesine "20" basın.
 - Güç göstergesi ışığı "14" kırmızı yanar ve ECO göstergesi ışığı "17" yeşil yanar.
5. Sıcaklık kontrol düğmesini "12" istediğiniz sıcaklığa ayarlayın.
 - Sıcaklık göstergesi ışığı "3" sarı yanar. Sarı sıcaklık göstergesi ışığı "3" ütü ısınırken yanmaya devam eder. Ütü ayarlanan sıcaklığa ulaştığında, sıcaklık göstergesi ışığı söner. Sıcaklık göstergesi ışığı kullanım sırasında yanacak ve sönecektir; bu durum ayarlanan sıcaklığın ayarlanmakta olduğunu göstermektedir.



Buharlı ütüleme sadece ●● ve MAX arasındaki daha yüksek sıcaklık ayarlarında mümkündür.

6. Su haznesindeki su 3 dakika içerisinde ısınır. Sıcaklık göstergesi ışığı kapandığında "3" buhar düğmesindeki kontrol göstergesi yanmaya devam ediyorsa, buharlı ütü kullanıma hazır anlamına gelir. Ütüyü giysilerin üzerinde yatay konumda tutun ve buhar püskürtme düğmesine "13" basın. Ütüleme esnasında ütüyü hareket ettirmeye devam edin.



UYARI: Cihazdan çıkan buharı asla insanların veya evcil hayvanların üzerine doğrultmayın.



Buharlı ütü istasyonu açıldığında, bir 'pom-palama' sesi çıkaracaktır. Bu ses normaldir ve suyun su haznesinden buharlı ütü istasyonuna pompalandığını gösterir.

7. **Buhar ayarlama düğmesini "21"** kullanarak istenen buhar basıncını ECO (eko), MEDIUM (orta) veya HIGH (yüksek) olarak ayarlayın.
 - Buhar düğmesindeki ilgili kontrol göstergesi seçildiği anda yanıp söner. Yaklaşık 2 dakika sonra kontrol göstergesinin ışığı sabit olarak yanık kalmaya devam eder ve bu durum cihazın buharlı ütüye hazır olduğunu gösterir.

4 Ürünün çalıştırılması

8. Su haznesinde “8” su miktarı yeterli kaldığında, buhar üretimi durur ve su doldurma göstergesi “16” yanar ve ardından bir bip sesi duyulur. Seçilmiş buhar düğmesinin kontrol göstergesi söner. Ütüyü saklama kaidesinin üzerine yerleştirin ve su haznesini doldurun (Su haznesinin doldurulması adlı bölüme bakın).
9. Ütüleme işlemi bittiğinde, ütüyü saklama kaidesinin üzerine koyun.
10. Buharlı ütü istasyonunu kapatmak için istasyonun **Açma/Kapama düğmesini** “20” birkaç saniye basılı tutun. Cihazın fişini prizden çekmek için sıcaklık kontrol düğmesini en düşük seviyeye olarak ayarlayın.
11. Cihazı çocukların ulaşamayacağı güvenli bir yerde soğumaya bırakın.



UYARI: Sıcak taban plakasına çıplak elle asla dokunmayın. Yanma Tehlikesi!



Buhar fonksiyonu belli bir süreyle kullanılmazsa, buhar, hortumun içinde yoğunlaşarak suya dönüşür. Buharlı ütü istasyonunu tekrar kullanmaya başladığınızda, cihazdan su çıkmasına ve taban plakasında su damlacıklarının oluşmasına neden olabilir. Bu damlacıkların giysilerinizin üzerine dökülmesini önlemek için, ütüleme işleminin başında eski ve temiz bir bez parçası kullanmanızı tavsiye ederiz. Damlacıklar yok olana ve normal buhar üretilene kadar buhar püskürtme düğmesini “13” basın.

- Taban plakasından kir parçacıkları çıkarsa, buharlı ütü istasyonunu “Bakım ve temizlik” adlı bölümde verilen talimatlara göre temizleyin.
- Herhangi bir düğme veya diğer herhangi bir kontrol elemanı 10 dakika boyunca etkinleştirilmezse, buharlı ütü istasyonu otomatik olarak kapanacaktır.

4 Ürünün çalıştırılması

4.4 Dikey buharlı ütöleme



Dikey buharlı ütöleme asılı perdeler veya elbiselere (takım, ceket ve palto/kaban) uygulanabilir.

1. Buharlı ütü istasyonunun üç buhar ayarı vardır: ECO, MID ve HIGH. Lütfen “Buharlı Ütöleme” adlı bölüme bakın.
2. Seçilmiş olan buhar basıncı kontrol göstergesi sabit olarak yanmaya başladığında, bu durum cihazın buharlı ütüye hazır olduğunu gösterir.
3. Ütüyü giysilerin veya perdelerin üzerinde dikey konumda tutun ve buhar püskürtme düğmesine “13” basın. Ütöleme esnasında ütüyü hareket ettirmeye devam edin.



UYARI: Cihazdan çıkan buharı asla insanların veya evcil hayvanların üzerine doğrultmayın.

5 Bakım ve temizlik

5.1 Temizlik



UYARI: Bu cihazı temizlemek için kesinlikle benzin, solvent, aşındırıcı temizleyici veya sert fırça kullanmayın.



UYARI: Ütöleme işleminden hemen sonra sıcak taban plakasına çıplak elle dokunmayın. Yanma Tehlikesi!



UYARI: Kireç çözme göstergesinin ışığı yandığında buharlı ütü istasyonunda birikmiş olan kireci ve diğer mineral kalıntılarını temizleyin.



UYARI: Asla buharlı ütü istasyonunu akan suyun altına tutup yıkamayın ve asla su ve diğer sıvıların içerisine daldırmayın.



UYARI: Taban plakasını asla kimyasallarla, çelik yünüyle, ahşap veya diğer aşındırıcı temizlik maddeleriyle temizlemeyin.

1. Her bir temizlik işleminden önce, cihazı kapatın ve elektrik fişini prizden çekin.
2. Buharlı ütünün tamamen soğumasını bekleyin.
3. Ütünün dış kısmını temizlemek için hafif nemli bir bez kullanın. Daha sonra tamamen kurumasını bekleyin.
4. Taban plakasındaki tortu ve kalıntıları hafif nemli bir bezle ve gerekirse yumuşak, aşındırıcı olmayan bir sıvı temizleyiciyle silin.

5.2 Kireç çözme

Not

- Buharlı ütü istasyonunuzun verimliliğini sürdürmek ve kullanım ömrünü uzatmak ve giysilerinizin üzerine kireç parçacıklarının gelmesini önlemek için, bu ünite bir "Kireç Çözme" uyarısı gösterge ışığıyla "15" donatılmıştır. Bu ışık yaklaşık 100 dakikalık kullanım süresinden sonra kontrol panelinde "4" yanıp söner.
- Kireç çözme göstergesi "15" yandığında, ütünüzü normal şekilde kullanmaya devam edebilirsiniz ancak bir sonraki sefer kullanmaya başlamadan önce cihazın kirecini çözmeyi unutmamalısınız.

5 Bakım ve temizlik



UYARI: Herhangi bir kireç çözücü madde kullanmayın! Bu maddeler cihaza zarar verebilir.



UYARI: Cihazın kirecini sökmeden veya içini boşaltmadan önce, yanma riskini önlemek için ütü 2 saatten daha uzun bir süre soğumalıdır.

1. Soğumuş buharlı ütüyü düz bir zemine yerleştirin.
2. Su haznesinin sapını "8" tutarak su haznesini buhar istasyonundan çıkarın ve sapın "8" altındaki tetiğe basarak su haznesini buharlı ütü istasyonundan dışarı çıkarın.
3. Buharlı ütü istasyonunu yan çevirin. Su tahliye vidasının "23" üzerindeki lastik kapağı "24" çıkarın.
4. Buharlı ütü istasyonunun altında bulunan anahtarı "25" çıkarın ve bununla su tahliye vidasını açın.
5. Buhar istasyonuna açtığınız su tahliye vidasının boşluğundan yaklaşık 0,5 lt temiz su ekleyin.
6. Su tahliye vidasını tekrar yerine takın.
7. Buhar istasyonunu en az 1 dak. tutarak sallayın.
8. Su tahliye vidasını çıkarın ve su lavaboya boşalırken buhar istasyonunu sallayın.
9. Suyun tamamen lavaboya tahliye olmasını sağlayın.
10. Su tahliye vidasını yerine takın ve tekrar sıkın.
11. Lastik kapağı su tahliye vidasının üzerine yerleştirin.
12. Su haznesini takın. Uyarı ışığı halen yanıyorsa, yukarıdaki işlemi tekrarlayın.

6 Tüketici hizmetleri

Değerli Müşterimiz,

Sizlere iyi ürün vermek kadar, iyi hizmet vermenin de önemine inanıyoruz. Bu nedenle siz bilinçli tüketicilere çok geniş kapsamlı yeni hizmetler sunmaya devam ediyoruz.

Yetkili Servislerimizin haftanın 7 günü 09:00 - 22:00 saatleri arasında hizmet vermeye başlamasının ardından, Beko Hizmet Merkezi haftanın 7 günü 24 saat yeni telefon numarası 444 1 404 ile canlı olarak hizmet vermeye başladı.

Doğrudan bu numarayı çevirerek Beko Hizmet Merkezine başvurabilir ve arzu ettiğiniz hizmeti talep edebilirsiniz.

Beko Hizmet Merkezi

444 1 404

(Sabit telefonlardan veya cep telefonlarından alan kodu çevirmeden *)

Diğer Numara:

(0216) 585 8 404

Çağrı Merkezimize ayrıca www.beko.com.tr adresindeki Tüketici Hizmetleri bölümünde bulunan formu doldurarak ya da 0216 585 8 404 nolu telefonu arayarak ya da 0216 423 23 53 nolu telefona faks çekerek de ulaşabilirsiniz.

Yazılı başvurular için adresimiz: Beko Hizmet Merkezi, Ankara Asfaltı Yanı, 34950 Tuzla/İSTANBUL

Aşağıdaki önerilere uymanızı rica ederiz.

1. Ürününüzü aldığınızda Garanti Belgesini Yetkili Satıcınıza onaylattırınız.
2. Ürününüzü kullanma kılavuzu esaslarına göre kullanınız.
3. Ürününüzle ilgili hizmet talebiniz olduğunda yukarıdaki telefon numaralarından Çağrı Merkezimize başvurunuz.
4. Hizmet için gelen teknisyene "teknisyen kimlik kartı" nı sorunuz.
5. İşiniz bittiğinde servis teknisyeninden "HİZMET FİŞİ" istemeyi unutmayınız. Alacağınız Hizmet Fişi, ileride ürününüzde meydana gelebilecek herhangi bir sorunda size yarar sağlayacaktır.
6. Kullanım ömrü: 7 yıldır. (Ürünün fonksiyonunu yerine getirebilmesi için gerekli yedek parça süresi.)

Garanti ile ilgili olarak müşterinin dikkat etmesi gereken hususlar

BEKO tarafından verilen bu garanti, Ütü'nün normalin dışında kullanılmasından doğacak arızaların giderilmesini kapsamadığı gibi, aşağıdaki durumlar da garanti dışıdır:

1. Kullanma hatalarından meydana gelen hasar ve arızalar,
2. Ürünün müşteriye tesliminden sonraki yükleme, boşaltma ve taşıma sırasında oluşan hasar ve arızalar,
3. Voltaj düşüklüğü veya fazlalığı; hatalı elektrik tesisatı; ürünün etiketinde yazılı voltajdan farklı voltajda kullanma nedenlerinden meydana gelecek hasar ve arızalar,
4. Yangın ve yıldırım düşmesi ile meydana gelecek arızalar ve hasarlar.
5. Ürünün kullanma kılavuzlarında yer alan hususlara aykırı kullanılmasından kaynaklanan arızalar.

Ürüne yetkisiz kişiler tarafından yapılan müdahalelerde ürüne verilmiş garanti sona erecektir.

Yukarıda belirtilen arızaların giderilmesi ücret karşılığında yapılır.

Ürünün kullanım yerine montajı ve nakliyesi ürün fiyatına dahil değildir.

Garanti belgesinin tekemmül ettirilerek tüketiciye verilmesi sorumluluğu, tüketicinin malı satın aldığı satıcı, bayi, acenta ya da temsilciliklere aittir. Garanti belgesi üzerinde tahrifat yapıldığı, ürün üzerindeki orijinal seri numarası kaldırıldığı veya tahrif edildiği takdirde bu garanti geçersizdir.

Ürününüzün CE uygunluğu Jiangsu TÜV Product Service Ltd. Guangzhou Branch SF, Communication Building, 163 Pingyun Rd, Huangpu Ave. West Guangzhou, P. R. China TEL: +86 20 3832 0478 tarafından onaylanmıştır.

İmalatçı/İthalatçı: Arçelik A.Ş. Genel Müdürlük Karaağaç Caddesi No: 2-6 Sütüce 34445 İstanbul/Türkiye

Garanti Belgesi

BEKO Ütü'nün, kullanma kılavuzunda gösterildiği şekilde kullanılması ve Arçelik'in yetkili kıldığı Servis elemanları dışındaki şahıslar tarafından bakım, onarım veya başka bir nedenle müdahale edilmemiş olması şartıyla, bütün parçaları dahil olmak üzere tamamı malzeme, işçilik ve üretim hatalarına karşı;

2 (İKİ) YIL SÜRE İLE GARANTİ EDİLMİŞTİR.

Garanti kapsamı içinde gerek malzeme ve işçilik gerekse montaj hatalarından dolayı arızalanması halinde yapılan işlemler için işçilik masrafı, değiştirilen parça bedeli ya da başka bir ad altında hiçbir ücret talep edilmeyecektir. Garanti süresi içinde yapılacak onarımlarda geçen süre, garanti süresine ilave edilir. Tamir süresi en fazla 20 iş günüdür. Bu süre mamulün yetkili servis atölyelerimize, yetkili servis atölyelerimiz bulunmaması durumunda Yetkili Satıcılarımıza veya Firmamıza bildirildiği tarihten itibaren başlar. Ürünün arızasının 10 iş günü içerisinde giderilememesi halinde Arçelik A.Ş. ürünün tamiri tamamlanuncaya kadar, benzer özelliklere sahip başka bir ürünü, müşterinin kullanımına tahsis edecektir.

Arızanın giderilmesi konusunda uygulanacak teknik yöntemlerin tespiti ile değiştirilecek parçaların saptanması tamamen firmamıza aittir. Arızanın giderilmesi ürünün bulunduğu yerde veya Yetkili Servis atölyelerinde yapılabilir. Müşterimizin buna onay şarttır.

Ancak;

Tüketicinin onarım hakkını kullanmasına rağmen malın;

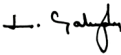
-Tüketicie teslim edildiği tarihten itibaren, garanti süresi içinde kalmak kaydıyla, bir yıl içerisinde en az dört defa veya imalatçı-üretici ve/veya ithalatçı tarafından belirlenen garanti süresi içerisinde altı defa arızalanmasını yanı sıra, bu arızalanmaldan yararlanmama- yı sürekli kalması,

-Tamiri için gereken azami süresinin aşılması,

-Firmanın servis istasyonunun, servis istasyonunun mevcut olmaması halinde sırayla satıcısı, bayii, acentesi temsilciliği ithalatçısı veya imalatçı-üreticisinden birisinin düzenleyeceği raporla arızanın taminini mümkün bulunmadığının belirlenmesi, durumlarında tüketici malın ücretsiz değiştirilmesini, bedel iadesi veya ayıp oranda bedel indirimi talep edebilir. Garanti belgesi ile ilgili olarak çıkabilecek sorunlar için T.C. Gümrük ve Ticaret Bakanlığı Tüketicinin Korunması ve Piyasa Gözetim Genel Müdürlüğü'ne başvurulabilir. Bu Garanti Belgesi'nin kullanılmasına 4077 sayılı Tüketicinin Korunması Hakkında Kanun ile bu Kanun'a dayanılarak yürürlüğe konulan Garanti Belgesi Uygulama Esaslarına Dair Yönetmelik uyarınca, T.C. Gümrük ve Ticaret Bakanlığı Tüketicinin Korunması ve Piyasa Gözetim Genel Müdürlüğü tarafından izin verilmiştir.

ARÇELİK A.Ş.

GENEL MÜDÜR



GENEL MÜDÜR YARDIMCISI



Seri No :
Tip : BKK 2174
Teslim Tarihi, Yeri :
Fatura Tarihi, No :
Satıcı Firma Ünvanı :

Adres :
Tel-Faks :
Satıcı Firma (Kaşe ve İmza) :